

PRODUCT CODE: RC12TH/B
TOP HAT ROD CAP



DESCRIPTION

M12 Top Hat Rod Cap

FINISH

Black

MATERIAL

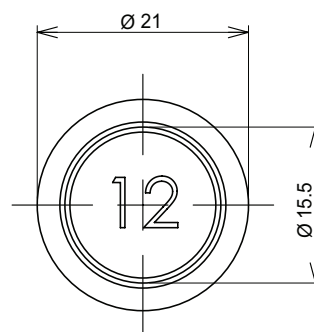
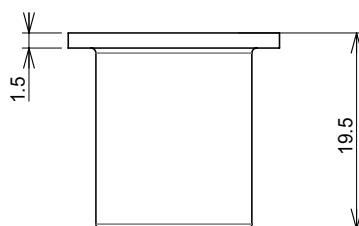
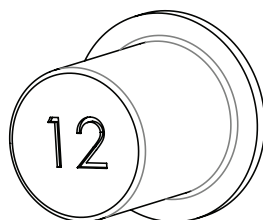
PVC


PACKAGING

Packed in qty 100

ADDITIONAL NOTES

For use with M12 threaded rod or studs



 Values are nominal and with a general tolerance $\pm 5\%$ unless otherwise specified